

# PressVu UV 200/600 Specifications

---

For additional information and requirements that apply to all VUTEk printers regardless of model, please see VUTEk's *VIP Guide*.

## Size and weight

The crated and uncrated specifications for the PressVu UV 200/600 printer are shown below. The unwinder/rewinder ships with the printer and is included in the dimensions shown below.

### Crated

|        |              |             |
|--------|--------------|-------------|
| Height | 89.0 inches  | (226.0 cm)  |
| Width  | 188.0 inches | (477.5 cm)  |
| Depth  | 73.0 inches  | (185.4 cm)  |
| Weight | 6157.0 lbs.  | (2793.5 kg) |

### Uncrated

|        |              |             |
|--------|--------------|-------------|
| Height | 61.0 inches  | (154.9 cm)  |
| Width  | 171.0 inches | (434.3 cm)  |
| Depth  | 64.0 inches  | (162.6 cm)  |
| Weight | 3505.0 lbs.  | (1589.8 kg) |

## Attachments

### Input/output table

#### Crated

|        |             |            |
|--------|-------------|------------|
| Height | 36.0 inches | (91.4 cm)  |
| Width  | 83.3 inches | (211.6 cm) |
| Depth  | 54.0 inches | (137.2 cm) |
| Weight | 300.0 lbs.  | (136.1 kg) |

## PressVu UV 200/600 Specifications

### Uncrated

|        |             |            |
|--------|-------------|------------|
| Height | 36.0 inches | (91.4 cm)  |
| Width  | 81.0 inches | (205.7 cm) |
| Depth  | 50.0 inches | (127.0 cm) |
| Weight | 82.2 lbs.   | (37.3 kg)  |

### Floor space

The PressVu UV 200/600 printer requires a minimum amount of floor space to allow it to be operated and loaded and unloaded safely.

The following table shows the minimum floor space required for the PressVu UV 200/600 printer, as well as the additional space required for removing and curing the printed media.

#### Area

|            |                  |                  |
|------------|------------------|------------------|
| Minimum    | 25.0 x 25.0 feet | (7.6 m x 7.6 m)  |
| Additional | 25.0 x 40.0 feet | (7.6 m x 12.2 m) |

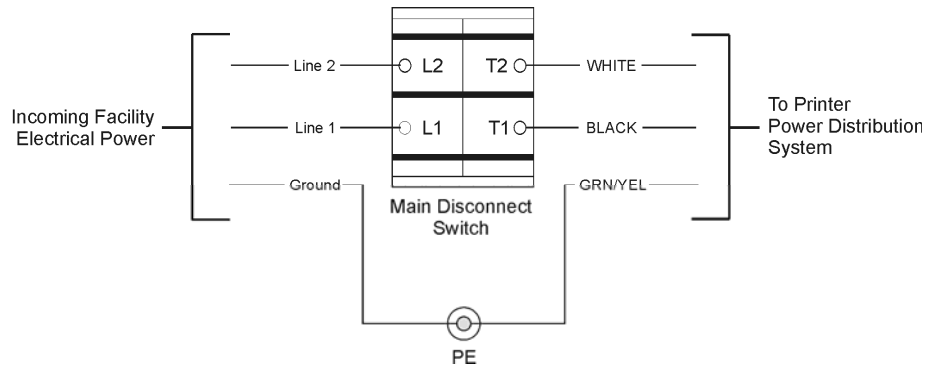
### Power

Because of variances in local codes, power cables are *not* included with the printer and must be supplied by the customer. Size shall be determined by local code requirements.

A licensed electrician should ensure that the printer's dedicated power source meets your printer's requirements.

|                              |           |
|------------------------------|-----------|
| VAC, 50/60 Hz, single-phase  | 200 – 240 |
| Peak rated current           | 50 Amps   |
| Peak power consumption       | 16 kVA/kW |
| Continuous power consumption | 13.5 kW   |

## PressVu UV 200/600 Specifications



Single-phase electrical configuration

### Compressed air

|         |         |                          |
|---------|---------|--------------------------|
| Minimum | 80 psi  | 5.6 kgf/cm <sup>2</sup>  |
| Maximum | 150 psi | 10.5 kgf/cm <sup>2</sup> |

### Environmental

VUTEk does *not* supply a ventilation system for your VUTEk digital printing system. However, VUTEk does require a ventilation system be installed for extracting the ozone, ink particles, solvent fumes, and heat from the printing area.

Customers must maintain the following environmental conditions for the printer and the area in which it is installed.

|                                    |  |
|------------------------------------|--|
| Volume (at exhaust collar)         | 500 cf/m<br>(14.2 m <sup>3</sup> /min) |
| Maximum under hood temperature     | 104° F<br>(40° C)                      |
| Ambient room temperature           | 68° F – 85° F<br>(20° C – 30° C)       |
| Relative humidity (non-condensing) | 30% – 80%                              |
| Inches of water                    | 1.5 – 2.0 inches<br>(38 – 55 mm)       |
| Exhaust collar diameter            | 10 inches<br>(25.4 cm)                 |

### Emissions

The following emissions information will help your HVAC engineer when designing the printer's ventilation system.

## PressVu UV 200/600 Specifications

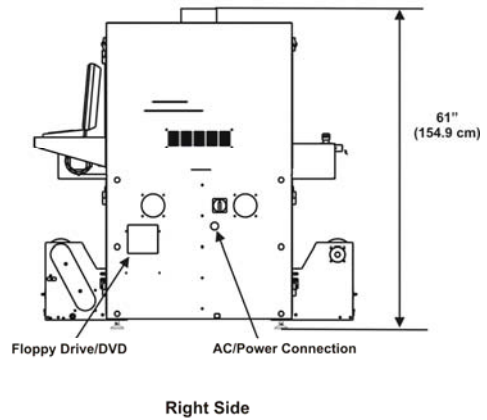
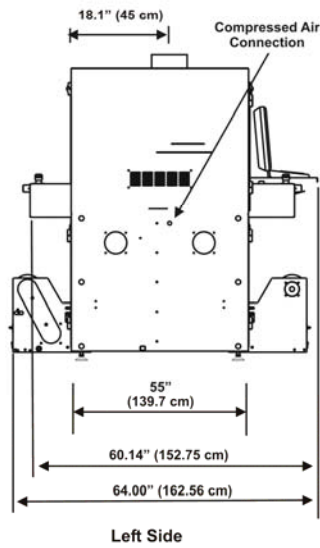
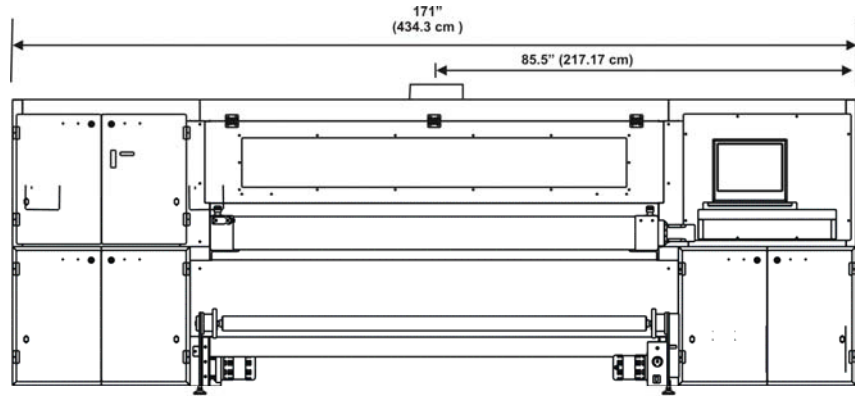
### VOC emissions

|  |                  |
|--|------------------|
| Lbs. of VOC/gallon of ink                | —                |
| Lbs. of VOC/hour at printer's max. speed | —                |
| Lbs. of VOC/liter of ink                 | —                |
| Maximum ink consumption                  | 0.82 liters/hour |
| Ozone                                    | n/a              |
| Particulate                              | n/a              |
| Heat (maximum)                           | 4 kw             |

### Printer dimensions

Illustrations of the PressVu UV 200/600 printer showing its dimensions and an example of a typical printer installation floor layout are provided below.

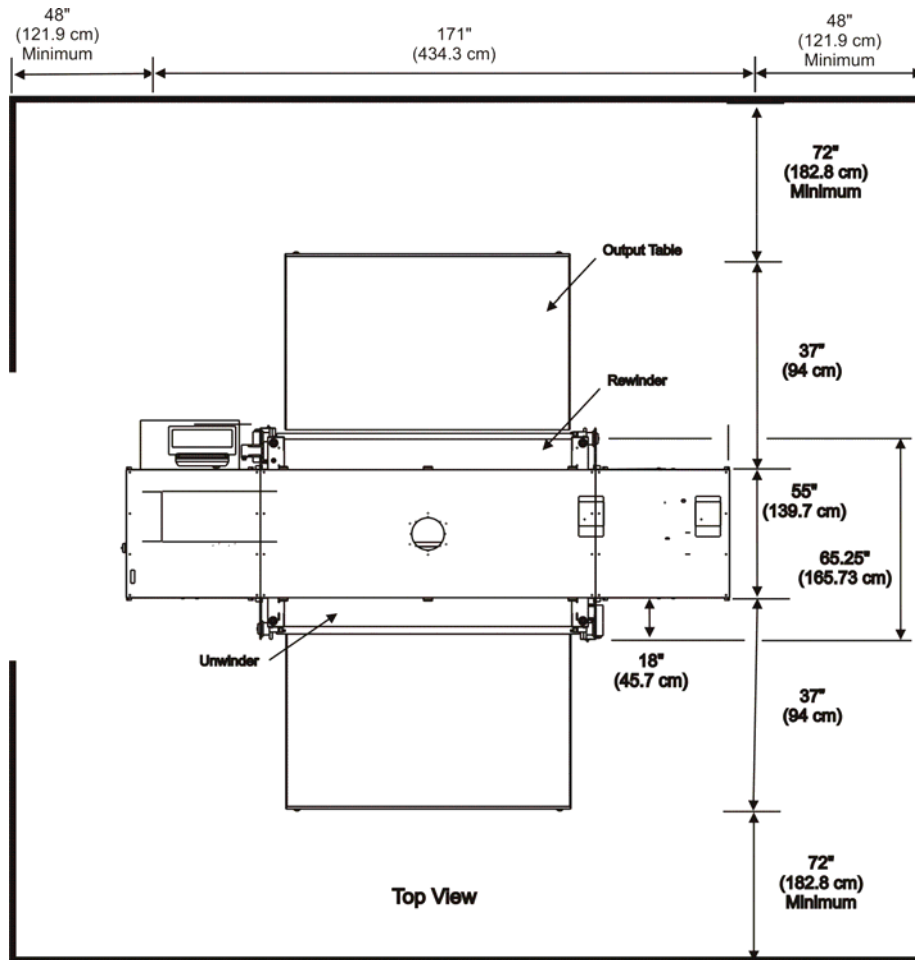
# PressVu UV 200/600 Specifications



A00010

PressVu UV 200/600 dimensions (showing compressed air and electrical connections)

## PressVu UV 200/600 Specifications



PressVu UV 200/600 floor layout

The dimensions shown in this floor layout are calculated based on using 4' x 8' (1.2 m x 2.4 m) sheets of rigid media. If you plan to print on larger (longer) rigid media, be sure to allow additional space at the front and rear of the printer.

- end -



T: +44 (0) 118 989 2929  
W: [www.cmyukdigital.com](http://www.cmyukdigital.com)