

Document # **VTS-00085, rev. 5**
Issue Date **September 7, 2011**
Printers Affected **GS3250r**

GS3250r Printer Specifications

Machine specifications should be used by customers and Field Service Engineers during initial phases of printer logistics planning.

Safety

Please adhere to the following safety items:

- Familiarize yourself with the EFI Printer Safety Guide, available at, <http://www.vuteksupport.com/doc.php?doc=683>.

Modifications

Do not modify this printer from its original design without the prior written approval of EFI-VUTEK, nor use unapproved accessories.

Warning: Using unapproved modifications or accessories can lead to serious injury to yourself or others, and even death.

See [Accessories](#) for information on approved printer attachments.

Technical Support

Technical support for VUTEK customers is available 24 hours a day.

Note: A factory warranty or enrollment in a service plan is required for 24 hour support.

North America: +1 603-677-3111, ext. 4
Fax: +1 603-677-3078

Europe/Middle East +32 2 749 9420
Fax: +32 2 749 9465

E-mail: support@efi-vutek.com
Internet (requires login): <http://www.vuteksupport.com/support.php>

Hazardous Voltage

All EFI printers contain Hazardous Voltage. Refer to your printers' individual *Basic Operator's Guide* and labels attached to the printer components for specific hazardous voltage areas on the printer. Printer operators and technicians must conform to the following guidelines at all times during printer use and maintenance:

- Live electrical terminals can kill. Ensure that the main disconnect switch is in the **Off** position prior to connecting to facility power.
- Some EFI printers are rated as Class I equipment. Ensure that the earth grounding connections between the printer and the host system are maintained at all times.

Size and Weight

Uncrated

Table 1: GS3250r Printer only, no Pallet or Pallet Enclosure

	Imp.	Metric
Height	72"	183 cm
Width (Front to Back)	67"	171 cm
Length (left to right)	248"	630 cm
Weight	6,550 lbs	2,972 kg

Palletized

Table 2: GS3250r Printer on Pallet, no crate

	Imp.	Metric
Height	80"	204 cm
Width (Front to Back)	72"	183 cm
Length (left to right)	242"	615 cm
Weight	7,050 lbs	3,198 kg

Crated

Table 3: GS3250r Printer on Pallet with Crate Enclosure

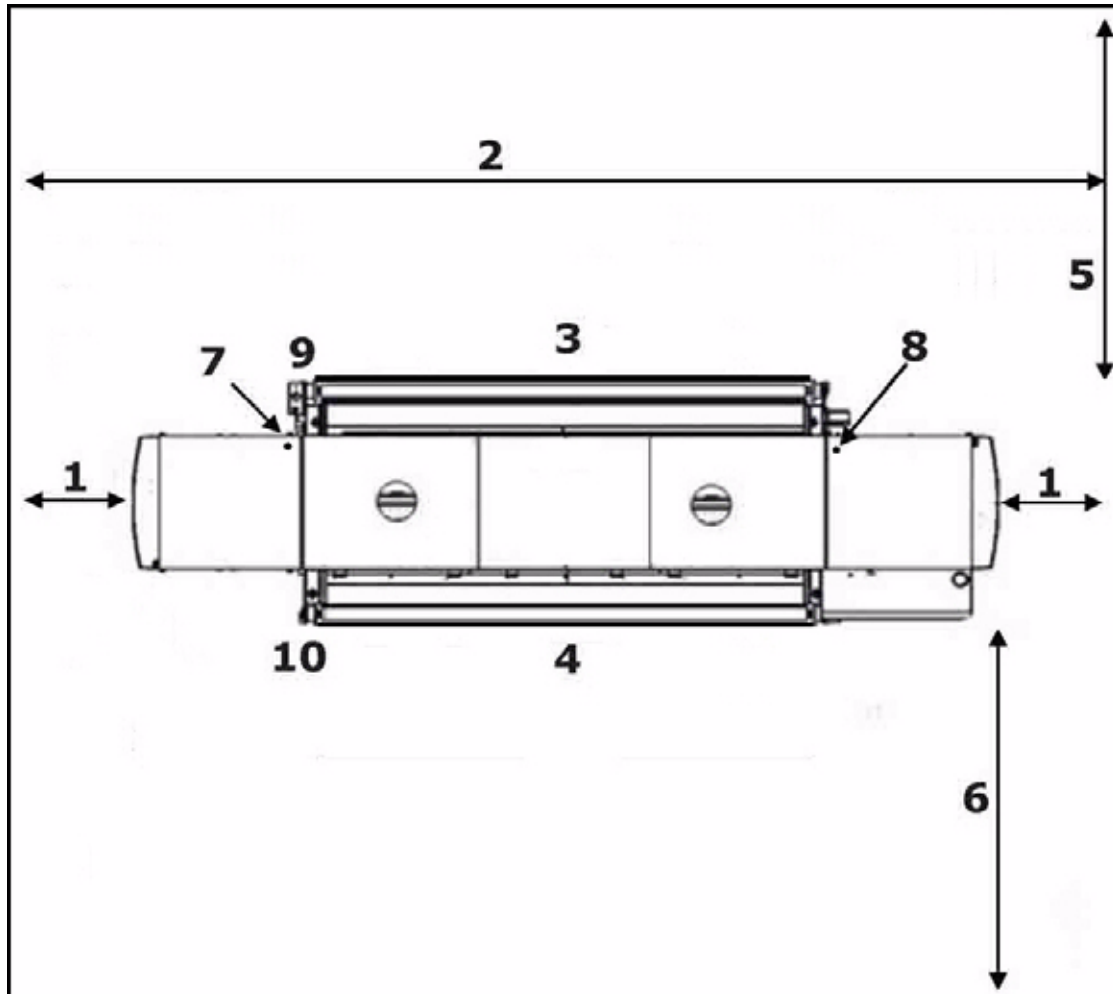
	Imp.	Metric
Height	83"	211 cm
Width (Front to Back)	72"	183 cm
Length (left to right)	242"	615 cm
Weight	7,550 lbs	3,425 kg

Floor Space

The GS3250r Series printers requires adequate floor space to allow safe operation, including loading and unloading safely. The following table indicates the minimum floor space required for the GS3250r printers, as well as the additional space required for loading media and removing the printed media.

Recommended Printer Working Clearances - GS3250r

Figure 1-1: Top view, working clearance minimum recommendations



1	48" (122 cm)	6	96" (244 cm)
2	344" (874 cm)	7	Compressed air input connector
3	Back of printer	8	Electrical cable input from facility circuit breaker panel
4	Front of printer	9	Unwinder
5	48-96" (122-244 cm)	10	Rewinder

AC Power Specifications

Because of variances in local codes, a power cable is not included with the printer and must be supplied by the customer. Size is determined by local code requirements.

A licensed electrician must ensure that your printer’s dedicated power source meets the printer’s requirements. See [Table 4:GS3250r Electrical Requirements](#).

Note: Measure Phase to Phase and each Phase to Ground. The phase to phase voltage difference must be less than 10% and each phase to chassis ground difference must be less than 10%.

Table 4: GS3250r Electrical Requirements

Value	Requirement
50 or 60 Hz, three-phase	200-230 VAC (Delta) or 400-460 VAC (Wye)
Peak rated current	60 Amps at 220V and 30 Amps at 440V
Peak power consumption	21.4 KVA
Continuous power consumption	11 KW

Three Phase Configurations

[Figure 1-2](#) defines the three phase electrical configurations.

Danger! GS3250r printers DO NOT support a 480 volt, 3-Phase configuration.

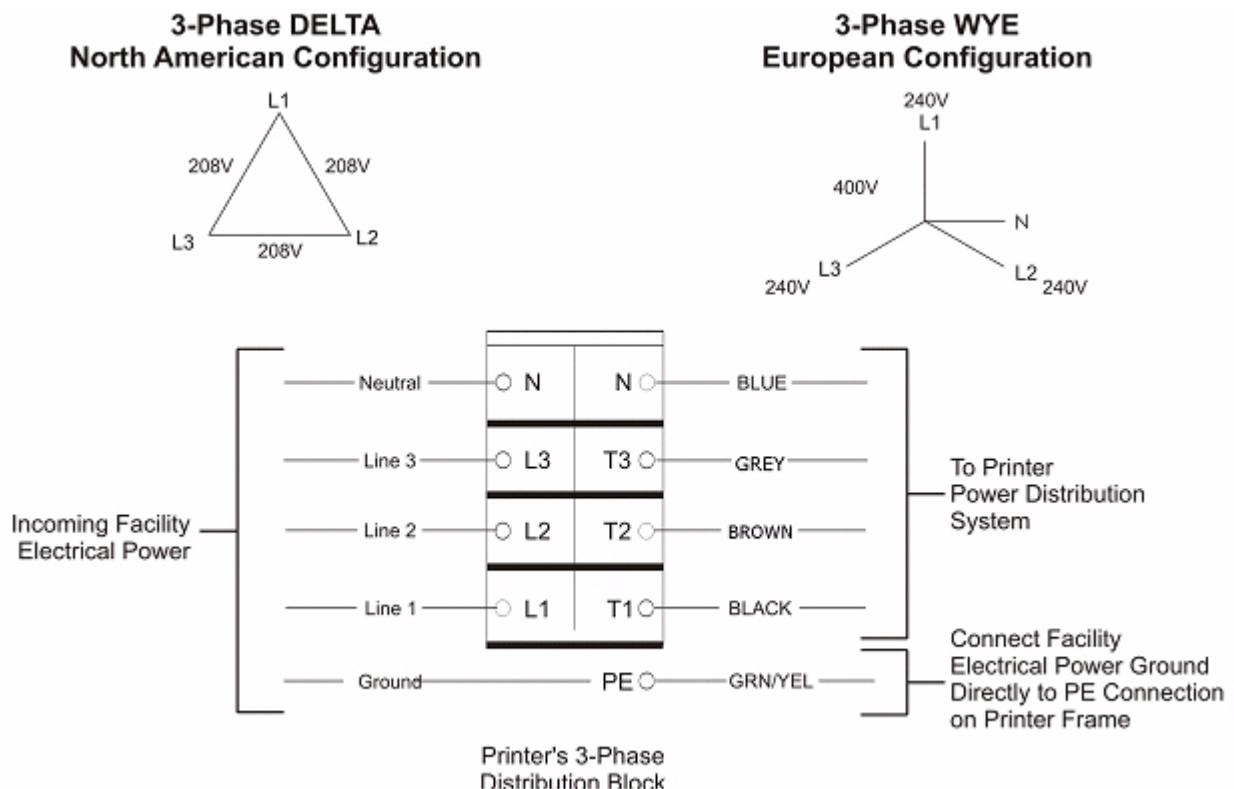


Figure 1-2: Three-phase electrical configuration



Figure 1-3: Main AC input voltage switch

Switch Position	Input Voltage
200-230	200-230 VAC 50 or 60 Hz
400-460	400-460 VAC 50 or 60 Hz

Danger! Electrical configurations shall not exceed 460 volts.

Compressed air

The following tables outline the minimum and maximum compressed air volume requirements.

Table 5: GS3250r Compressed Air Requirements

	Imp.	Metric
Minimum	95 psi @ 4 cf/min.	6.68 kg/cm ² @ 0.113 cu. m/min.
Maximum	145 psi	10.2 kg/cm ²

For complete information about Compressed Air specifications, refer to the following document: <http://www.vuteksupport.com/doc.php?doc=975>.

Printer Dimensions

Front View

This section contains photos and illustrations of the GS3250r showing its critical dimensions.

Note: Exhaust collars outside diameter 10.25" (26 cm), inside diameter 10" (25.4 cm)

Figure 1-4: Front view



	GS3250r Dimensions - Front View	Imp.	Metric
1	Overall Width	248"	630 cm
2	Height	72"	183 cm
3	Side to center of exhaust collar	89"	220 cm
4	Between exhaust collars, center to center	60"	153 cm
5	End cabinet to air connector	54"	138 cm
6	End cabinet to electrical cable input	54"	138 cm

End View



Figure 1-5: Right side view

	GS3250r Dimensions	Imp.	Metric
1	Depth, frame only	36"	91.4 cm
2	Unwinder and Rewinder	15"	38 cm
3	Overall Depth	66"	168 cm

Environmental

EFI-VUTEK does not supply a ventilation system for your digital printing system. However, EFI-VUTEK does require a ventilation system be installed for extracting ozone, ink particles, solvent fumes, and heat from the printing area.

Customers must maintain the following environmental conditions for the printer and the area in which it is installed.

Table 6: GS3250r Environmental Specifications

Specification - GS3250r	Imp.	Metric
Volume at <u>each</u> exhaust collar (two per printer)	1,000 cf/m	28.4 meters ³ /min.
Maximum under hood temperature	104° F	40° C
Ambient room temperature	68° F – 86° F	20° C – 30° C
Relative humidity (non-condensing)	30% – 80%	
Exhaust collar <u>outside</u> diameter	10.25 inches	26.0 cm
Exhaust collar <u>inside</u> diameter	10 inches	25.4 cm

Emissions

The following information will assist your Heating Ventilation and Air Conditioning Engineer when designing the printer's ventilation system.

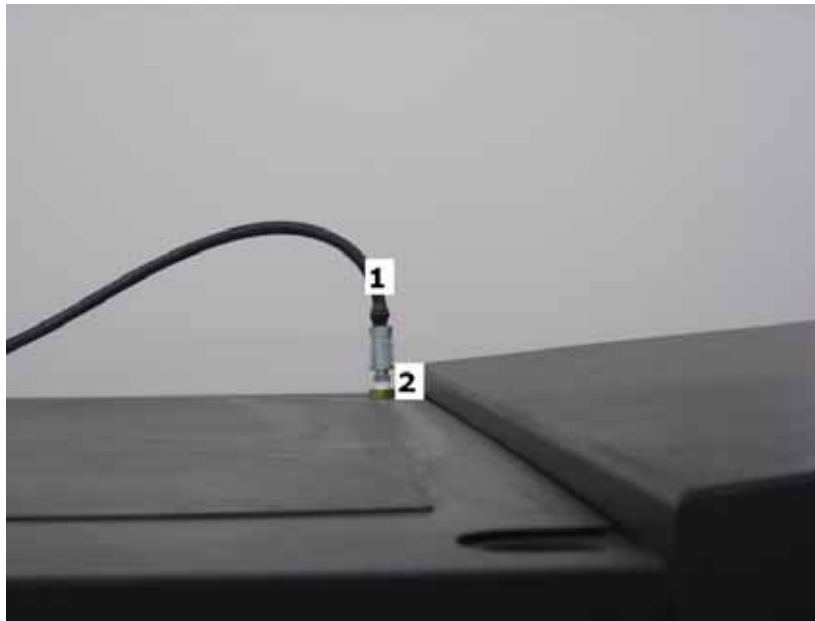
VOC Emissions

Table 7: VOC Emissions Information

Emission/Consumption	Value
Lbs. of VOC/hour at maximum speed	Less than 0.1%
Lbs. of VOC/liter of ink	Less than 0.1%
Particulate (mg per liter of ink)	15

Compressed Air Connector

Figure 1-6: Compressed air connector, top left rear



1	Customer supplied air line from facility air compressor
2	Air line connector, male fitting

AC Power Cord

Figure 1-7: AC Power Cord from facility circuit breaker panel, top right rear



1	AC power cord from facility circuit breaker panel
---	---

Media Specifications - GS3250r

Standard Duty Unwinder – Air Core – Single Media Roll			
Media Width	Min	Inches - (cm)	12 (30)
Media Width	Max	Inches - (cm)	126 (320)
Roll Weight – Air Core	Max @ 126" (320 cm)	Lbs - (kg)	400 (180)
Roll Weight – Air Core	Max @ 54" (137.2)	Lbs - (kg)	170 (77.1)